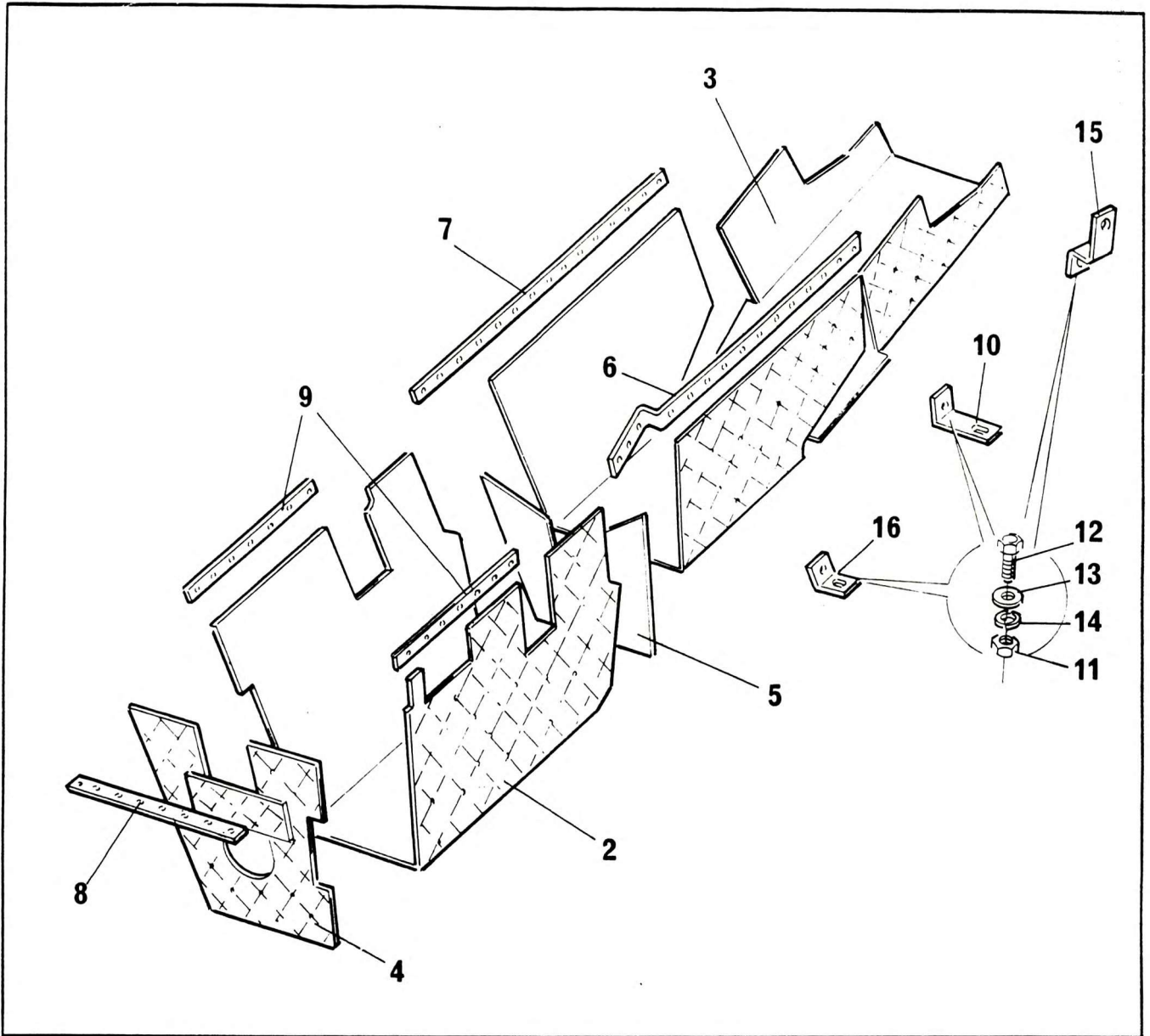


INSONORIZATION ASSEMBLY



NO.	PART NO.	QTY.	DESCRIPTION	NO.	PART NO.	QTY.	DESCRIPTION
1 +	7-001-990341	1	Insonorization - Engine Cowl	12	7-126-191350	72	Bolt M10 x 30mm Long
2	7-001-990337	1	Insonorization - Under Gearbox	13	7-951-190014	94	Washer M10
3	7-001-990338	1	Insonorization - Under Engine Sump	14	7-951-190210	94	Washer Spring M10
4	6-184-991943	2	Bracket	15	6-184-991945	2	Bracket Support
4	7-001-990339	1	Insonorization - Rear of Gearbox	16	6-184-991946	7	Bracket Support
5	7-001-990340	1	Insonorization - Front of Gearbox				+ See further breakdown in this group
6	6-184-991941	1	Bracket				
7	6-184-991942	1	Bracket				
8	6-184-991917	1	Bracket Front				
10	6-184-991944	3	Bracket				
11	7-661-190003	94	Nut M10				

6-001-990089
Issue No. 02